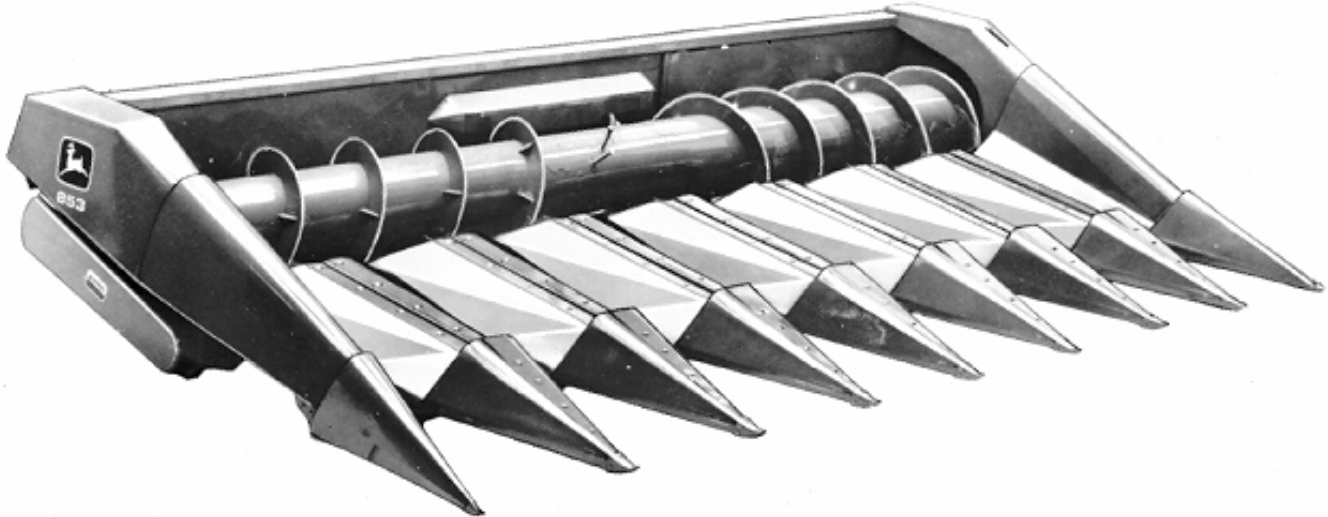


HP1453

-UN-01JAN94



JOHN DEERE 853 ROW-CROP HEAD

(SPECIFICATIONS AND DESIGN SUBJECT TO CHANGE WITHOUT NOTICE)

DATE OF MANUFACTURE

MODEL NO.	DATE
453	(1976-1979)
454	(1975-1979)
554	(1975-1979)
653	(1975-1979)
654	(1976-1979)
853	(1976-1979)

SERIAL NUMBERS

WHEN WRITING ABOUT OR FILLING OUT WARRANTY CLAIMS, USE ALL NUMBERS, LETTERS AND SPACES SHOWN ON THE SERIAL NUMBER PLATE.

SERIAL NUMBER PLATE

198001H

198001 - DESIGNATES ROW-CROP HEAD SERIAL NUMBER
H - DESIGNATES FACTORY (HARVESTER WORKS)

THE 50 SERIES ROW-CROP HEAD SERIAL NUMBER PLATE IS LOCATED ON THE LEFT-HAND SIDE END SHEET OF THE MAIN FRAME.

*COPYRIGHT (C) 2000. DEERE & COMPANY. MOLINE, ILLINOIS
ALL RIGHTS RESERVED*

IMPORTANT

THIS PARTS CATALOG CONTAINS COMPLETE PARTS INFORMATION ON THE 50 SERIES ROW-CROP HEADS. VINTAGE IS DETERMINED BY SERIAL NUMBERS UNDER WHICH ROW-CROP HEADS WERE MANUFACTURED. IT IS IMPORTANT THAT THE CORRECT SERIAL NUMBER BE USED WHEN ORDERING PARTS.

SERIAL NUMBER LISTING INFORMATION

SERIAL NUMBER INFORMATION IS LISTED TO SHOW ON WHICH MACHINES EACH PART CAN BE USED; FOR EXAMPLE:

- THE PART CAN BE USED ON ALL MACHINES.
- 000000- THE PART CAN BE USED ON ALL MACHINES BEGINNING WITH THE SERIAL NUMBER LISTED.
- 000000 THE PART CAN BE USED ON ALL MACHINES UP TO AND INCLUDING THE SERIAL NUMBER LISTED.
- 000000-000000 THE PART CAN BE USED ON ALL MACHINES BETWEEN AND INCLUDING THE SERIAL NUMBERS LISTED.

WHEN XXXXXX'S ARE LISTED IN PLACE OF A SERIAL NUMBER, A SERIAL NUMBER CHANGE WAS MADE BUT THE EXACT SERIAL NUMBER WAS NOT AVAILABLE WHEN THE CATALOG WAS PRODUCED.

JDM REMANUFACTURED COMPONENTS

THE SERVICE PARTS LISTED IN THIS CATALOG ARE INTENDED FOR THE REPAIR OF ORIGINAL EQUIPMENT COMPONENTS. ALTHOUGH MOST SERVICE PARTS MAY BE USED TO REPAIR REMANUFACTURED COMPONENTS, THE REMANUFACTURED DESIGN MAY CHANGE PARTS SUFFICIENTLY SO THAT SERVICE PARTS ARE INADEQUATE OR NOT USABLE.

BOLT AND CAP SCREW STRENGTH IDENTIFICATION

BOLTS AND CAP SCREWS REQUIRED TO HAVE HIGH-STRENGTH QUALITIES EQUIVALENT TO SAE GRADE 8 ARE IDENTIFIED THROUGHOUT THIS CATALOG BY THE DESCRIPTION HS SAE 8. ALL STANDARD BOLTS AND CAP SCREWS ARE SAE GRADE 5 OR LOWER.

COMPLETE GOODS LISTINGS

COMPLETE GOODS ARE LISTED IN BOLD FACE TYPE. ORDER SEPARATELY. DO NOT INCLUDE ON REPLACEMENT PARTS ORDER.

SI UNITS OF MEASURE

METRIC DIMENSIONS ARE GIVEN, WHERE APPLICABLE, THROUGHOUT THIS PARTS CATALOG.

CHANGE INDICATOR LINE

CHANGES AFFECTING THE ORDERING OF PARTS ARE IDENTIFIED BY VERTICAL LINES MARKED IN THE LEFT-HAND MARGIN OF REVISED PARTS LISTING IMAGES. A LINE IS ALSO AT THE LEFT-HAND EDGE OF THE SAME PART NUMBER IN THE NUMERICAL INDEX TO SHOW THE LOCATION OF REVISED INFORMATION.

ALPHABETICAL INDEX

GRID		PAGE	GRID		PAGE
	A			I	
B22	AUGER, CROSS	26	C23	INDICATOR, HEIGHT RANGE	53
	C			K	
B10	CENTER GATHERER POINTS.....	14	B20	KNIFE AND DRIVES, ROTATING.....	24
B12	CENTER GATHERER SHIELDS.....	16	B20	KNIFE, STATIONARY	24
B18	CHAIN, GATHERER	22		L	
B22	CROSS AUGER.....	26	C11	L.H. ROW UNIT DRIVE (SH)	40
	D		C20	LINKAGE,HEIGHT SENSING-AUTO.HDR.HGT.CTL.....	50
C11	DECAL, DRIVE SHAFT	40		M	
C9	DECAL, DRIVE SHAFT (SH).....	38	B3	MAIN FRAME.....	6
C10	DECAL, DRIVE SHAFT (SH).....	39	B5	MAIN FRAME.....	8
D1	DECALS	56	B17	MOUNTING AND FLOAT SPRING	21
B14	DEFLECTORS, ROCK.....	18	C19	MOUNTING AND SENSING SWITCHES	49
C11	DRIVE SHAFT DECAL	40		O	
C9	DRIVE SHAFT DECAL (SH)	38	B7	OUTER GATHERER POINTS	10
C10	DRIVE SHAFT DECAL (SH)	39	B8	OUTER GATHERER SHEETS	11
C12	DRIVE SHAFT, HEADER - SIDEHILL	41	B9	OUTER GATHERER SHIELDS	13
B19	DRIVE, GATHERER CHAIN	23		P	
C3	DRIVE, ROW UNIT	32	B10	POINTS, CENTER GATHERER	14
C7	DRIVE, ROW UNIT	36	B7	POINTS, OUTER GATHERER	10
C15	DRIVE, ROW UNIT	44		R	
C17	DRIVE, ROW UNIT - (R.H. AND L.H.)	46	B14	ROCK DEFLECTORS	18
C13	DRIVE, ROW UNIT, LEFT-HAND	42	B20	ROTATING KNIFE AND DRIVES	24
C9	DRIVE, ROW UNIT, R.H. (SH)	38	C3	ROW UNIT DRIVE.....	32
C10	DRIVE, ROW UNIT, R.H. (SH)	39	C7	ROW UNIT DRIVE.....	36
C1	DRIVE, UNIT, ROW - RIGHT-HAND	30	C15	ROW UNIT DRIVE.....	44
C5	DRIVE, UNIT, ROW - RIGHT-HAND	34	C17	ROW UNIT DRIVE - (R.H. AND L.H.)	46
	E		C1	ROW UNIT DRIVE - RIGHT-HAND	30
B24	EXTENSIONS, FLIGHT (CROSS AUGER).....	29	C5	ROW UNIT DRIVE - RIGHT-HAND	34
	F		B16	ROW UNIT DRIVE MTG.,SHAFT AND COUPLER	20
B24	FLIGHT EXTENSIONS (CROSS AUGER)	29	C13	ROW UNIT DRIVE, LEFT-HAND	42
B17	FLOAT SPRING AND MOUNTING	21	C11	ROW UNIT DRIVE, LEFT-HAND (SH)	40
B13	FRAME AND BRACKETS, ROW UNIT.....	17	C9	ROW UNIT DRIVE, R.H. (SH).....	38
B3	FRAME, MAIN	6	C10	ROW UNIT DRIVE, R.H. (SH).....	39
B5	FRAME, MAIN	8	B13	ROW UNIT FRAME AND BRACKETS	17
	G		C24	ROW-CROP DRIVE SHIELDS	54
B18	GATHERER CHAIN	22		S	
B19	GATHERER CHAIN DRIVE.....	23	C19	SENSING SWITCHES AND MOUNTING	49
B12	GATHERER SHIELDS, CENTER	16	B16	SHAFT AND COUPLER, ROW UNIT DR.MTG.....	20
	H		C12	SHAFT, HEADER DRIVE - SIDEHILL	41
C22	HARNESS, WIRING.....	52	B8	SHEETS, OUTER GATHERER	11
C12	HEADER DRIVE SHAFT - SIDEHILL	41	C13	SHIELD, CLUTCH, SLIP	42
C23	HEIGHT RANGE INDICATOR.....	53	B20	SHIELD, KNIFE, ROTATING.....	24
C20	HEIGHT SENSING LINKAGE-AUTO.HDR.HGT.CTL.	50	C13	SHIELD, SHAFT, DRIVE, L.H.	42
			B12	SHIELDS, GATHERER, CENTER.....	16

**Thanks very much for your reading,
Want to get more information,
Please click here, Then get the complete
manual**

JustClickHere 

NOTE:

**If there is no response to click on the link above,
please download the PDF document first, and then
click on it.**

**Have any questions please write to me:
admin@servicemanualperfect.com**

ALPHABETICAL INDEX - CONTINUED

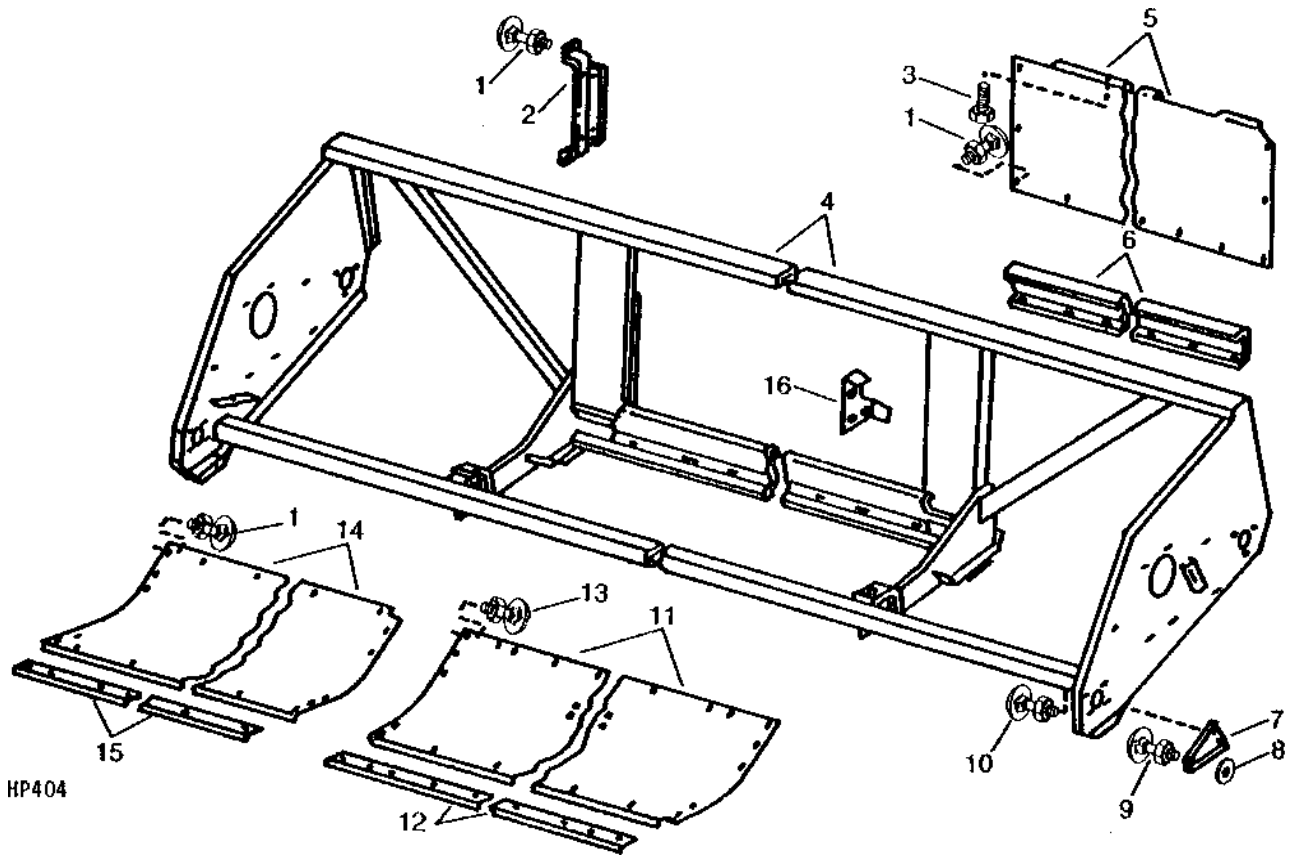
<i>GRID</i>		<i>PAGE</i>	<i>GRID</i>	<i>PAGE</i>
B9	SHIELDS, GATHERER, OUTER	13		
C24	SHIELDS, ROW-CROP DRIVE	54		
B15	SHOES, STUBBLE.....	19		
C12	SIDEHILL - HEADER DRIVE SHAFT	41		
B15	STUBBLE SHOES	19		
C25	SUNFLOWER ATTACHMENT.....	55		
C19	SWITCH, SENSING, AUTO HEIGHT CONTROL.....	49		
W				
C22	WIRING HARNESS	52		

B3

50 SERIES ROW-CROP HEADS

MAIN FRAME
(SERIAL NO. -344700)

HP404 -UN-01JAN94



KEY	PART NO.	PART NAME	QTY	SERIAL NO.	REMARKS
1	03H1540	BOLT	1		5/16" X 3/4"
	N10213	LOCK NUT	1		
2	H88591	SUPPORT	1	-344700	(SUB AH117531)
	AH117531	SUPPORT	1		
3	H65108	SCREW	1		
4	AH90220	FRAME	1	-344700	(SUB AH95424)
	AH95424	FRAME	1		(SUB AH98995) (454)
	AH90222	FRAME	1	-344700	(SUB AH95425)
	AH95425	FRAME	1		(SUB AH98996) (554)
	AH90221	FRAME	1	-344700	(SUB AH95426)
	AH95426	FRAME	1		(SUB AH98997) (653)
	AH95449	FRAME	1		(453) (SUB FOR AH90240)
	AH91787	FRAME	1		(SUB AH95452)
	AH95452	FRAME	1		(SUB AH99000) (853)
	AH93138	FRAME	1		(SUB AH95450)
	AH95450	FRAME	1		(654) (SUB AH98998)
5	H88666	SHEET	1		R.H. (653) (NO LONGER AVAILABLE)
	H88672	SHEET	1		R.H. (554) (NO LONGER AVAILABLE)
	H88667	SHEET	1		L.H. (653) (NO LONGER AVAILABLE)
	H88673	SHEET	1		L.H. (554) (NO LONGER AVAILABLE)
	H88680	SHEET	1		L.H. (454) (NO LONGER AVAILABLE)
	H88679	SHEET	1		R.H. (454) (NO LONGER AVAILABLE)
	H88685	SHEET	1		R.H. (453)
	H111544	SHEET	1		L.H. (453) (SUB FOR H88686)
	H111550	SHEET	1		L.H. (853) (SUB FOR H92196) (SUB H141781)
	H92231	SHEET	1		(SUB H141780) R.H. (853)
	H94134	SHEET	1		(SUB H141778) R.H. (654)
	H111548	SHEET	1		L.H. (654) (SUB FOR H94135) (SUB H141779)

THIS PARTS LISTING IS CONTINUED

B4

50 SERIES ROW-CROP HEADS

MAIN FRAME - CONTINUED
(SERIAL NO. -344700)

KEY	PART NO.	PART NAME	QTY	SERIAL NO.	REMARKS
6	H88681	STRIPPER	1		R.H. (454) (NO LONGER AVAILABLE)
	H88674	STRIPPER	1		R.H. (554) (NO LONGER AVAILABLE)
	H88668	STRIPPER	1		R.H. (653) (NO LONGER AVAILABLE)
	H88687	STRIPPER	1		(SUB H134194) R.H. (453)
	H92175	STRIPPER	1		(SUB H134198) R.H. (853)
	H94136	STRIPPER	1		(SUB H134196) R.H. (654)
	H88682	STRIPPER	1		L.H. (454) (NO LONGER AVAILABLE)
	H88675	STRIPPER	1		L.H. (554) (NO LONGER AVAILABLE)
	H88669	STRIPPER	1		L.H. (653) (NO LONGER AVAILABLE)
	H88688	STRIPPER	1		(SUB H134195) L.H. (453)
	H92179	STRIPPER	1		(SUB H134199) L.H. (853)
	H94137	STRIPPER	1		(SUB H134197) L.H. (654)
7	H88735	SUPPORT	1		R.H. (SUB AH93540, C1099E AND J16931)
	H88736	SUPPORT	1		L.H. (SUB AH93540, C1099E AND J16931)
	AH93540	SUPPORT	2		
8	24H1305	WASHER	2		13/32" X 13/16" X 0.065"
9	19H1731	CAP SCREW	2	-245700	3/8" X 1"
	12H304	LOCK WASHER	2	-245700	3/8"
10	14H812	NUT	2	-245700	3/8"
	19H1936	CAP SCREW	4		3/8" X 3/4"
	12H304	LOCK WASHER	4		3/8"
	14H812	NUT	4		3/8"
11	H88585	SHEET	1		CENTER (453, 454, 554, 653)
	H91864	SHEET	1		CENTER (654, 853)
12	H88587	REINFORCEMENT	1		CENTER, (453, 454, 554, 653)
	H91863	REINFORCEMENT	1		CENTER, (654, 853)
13	03H1524	BOLT	7		5/16" X 1"
	N10213	LOCK NUT	7		
14	H88683	SHEET	1		R.H. (454) (NO LONGER AVAILABLE)
	H88676	SHEET	1		R.H. (554) (NO LONGER AVAILABLE)
	H88670	SHEET	1		R.H. (653)
	H88684	SHEET	1		L.H. (454) (NO LONGER AVAILABLE)
	H88677	SHEET	1		L.H. (554) (NO LONGER AVAILABLE)
	H88671	SHEET	1		L.H. (653)
	H88689	SHEET	1		R.H. (453)
	H88690	SHEET	1		L.H. (453)
	H92275	SHEET	1		L.H. (853)
	H92279	SHEET	1		R.H. (853)
	H94138	SHEET	1		R.H. (654)
	H94139	SHEET	1		L.H. (654)
15	H88586	REINFORCEMENT	2		(454) (NO LONGER AVAILABLE)
	H88588	REINFORCEMENT	2		(653) (NO LONGER AVAILABLE)
	H88678	REINFORCEMENT	2		(554) (NO LONGER AVAILABLE)
	H88691	REINFORCEMENT	2		(453)
	H92286	REINFORCEMENT	1		L.H. (853)
	H92290	REINFORCEMENT	1		R.H. (853)
	H94140	REINFORCEMENT	1		R.H. (654)
16	H94141	REINFORCEMENT	1		L.H. (654)
	H100090	BRACKET	1	-344700	R.H. (SUB AH134684) (454, 554, 653) (ARC WELDED)
	H100442	BRACKET	1	-344700	L.H. (SUB AH134684) (454, 554, 653) (ARC WELDED)

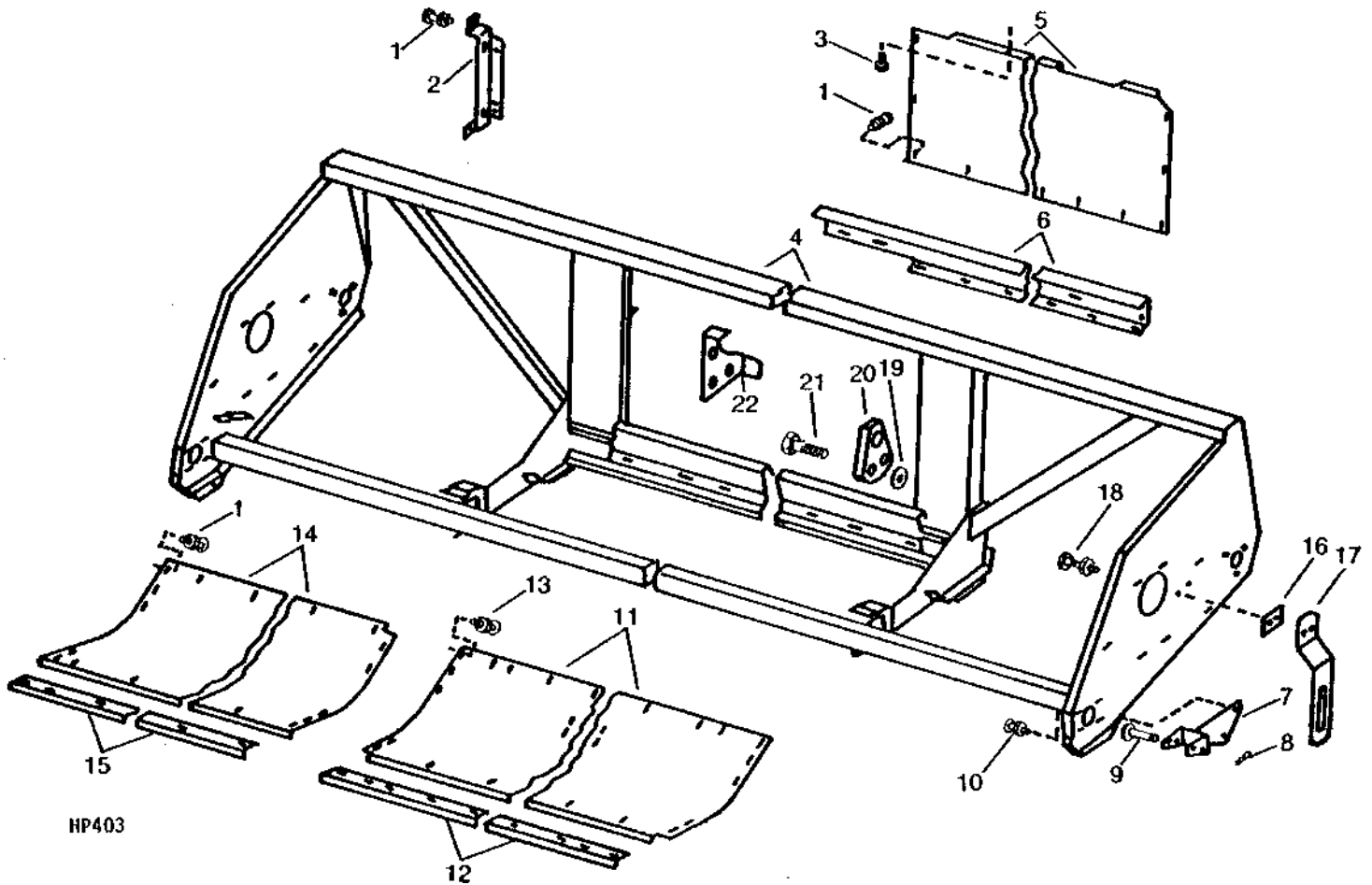
B5

50 SERIES ROW-CROP HEADS

MAIN FRAME (SERIAL NO. 344701-)

HP403

-UN-01JAN94



HP403

KEY	PART NO.	PART NAME	QTY	SERIAL NO.	REMARKS
1	03H1540	BOLT	1		5/16" X 3/4"
	N10213	LOCK NUT	1		
2	H88591	SUPPORT	1	-395000	BACK SHEET, R.H. (SUB AH117531)
	AH117531	SUPPORT	1		BACK SHEET, R.H.
3	H65108	SCREW	1		SELF-TAPPING
4	AH95449	FRAME	1	-390600	(SUB AH98994)
	AH98994	FRAME	1		(453) (NO LONGER AVAILABLE)
	AH95424	FRAME	1	-390600	(SUB AH98995, THIS APPLICATION)
	AH98995	FRAME	1		(454) (NO LONGER AVAILABLE)
	AH95425	FRAME	1	-390600	(SUB AH98996, THIS APPLICATION)
	AH98996	FRAME	1		(554) (NO LONGER AVAILABLE)
	AH95426	FRAME	1	-390600	(SUB AH98997, THIS APPLICATION)
	AH98997	FRAME	1		(653) (NO LONGER AVAILABLE)
	AH95450	FRAME	1	-390600	(SUB AH98998)
	AH98998	FRAME	1		(654) (NO LONGER AVAILABLE)
	AH95452	FRAME	1	-390600	(SUB AH99000)
	AH99000	FRAME	1		(853) (NO LONGER AVAILABLE)
5	H88685	SHEET	1		R.H. (453)
	H96713	SHEET	1		(SUB H141774) R.H. (454)
	H96726	SHEET	1		R.H. (554) (NO LONGER AVAILABLE)
	H96736	SHEET	1		(SUB H141776) R.H. (653)
	H94134	SHEET	1		(SUB H141778) R.H. (654)
	H92231	SHEET	1		(SUB H141780) R.H. (853)
	H111544	SHEET	1		L.H. (453) (SUB FOR H88686)

MAIN FRAME - CONTINUED
 (SERIAL NO. 344701-)

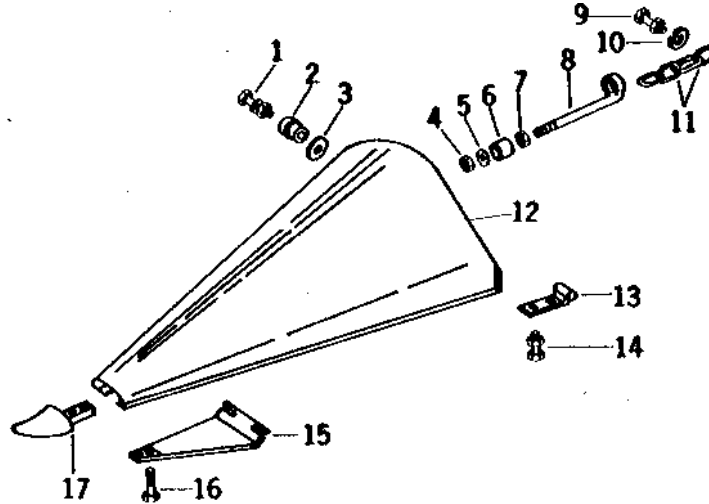
KEY	PART NO.	PART NAME	QTY	SERIAL NO.	REMARKS
5	H111545	SHEET	1		L.H. (454) (SUB FOR H96714) (SUB H141775)
	H96727	SHEET	1	-395000	L.H. (554) (SUB H111546)
	H111546	SHEET	1		L.H. (554) (NO LONGER AVAILABLE)
	H111547	SHEET	1		L.H. (653) (SUB FOR H96737) (SUB H141777)
	H111548	SHEET	1		L.H. (654) (SUB FOR H94135) (SUB H141779)
	H111550	SHEET	1		L.H. (853) (SUB FOR H92196) (SUB H141781)
6	H88687	STRIPPER	1		(SUB H134194) R.H. (453)
	H96710	STRIPPER	1		(SUB H134192) R.H. (454)
	H96724	STRIPPER	1		R.H. (554) (NO LONGER AVAILABLE)
	H96734	STRIPPER	1		(SUB H134194) R.H. (653)
	H94136	STRIPPER	1		(SUB H134196) R.H. (654)
	H92175	STRIPPER	1		(SUB H134198) R.H. (853)
	H88688	STRIPPER	1		(SUB H134195) L.H. (453)
	H96711	STRIPPER	1		(SUB H134193) L.H. (454)
	H96725	STRIPPER	1		L.H. (554) (NO LONGER AVAILABLE)
	H96735	STRIPPER	1		(SUB H134195) L.H. (653)
	H94137	STRIPPER	1		(SUB H134197) L.H. (654)
	H92179	STRIPPER	1		(SUB H134199) L.H. (853)
7	AH93540	SUPPORT	2		
8	J16931	SPRING LOCKING PIN	2		
9	C1099E	PIN	2		DRILLED
10	19H1936	CAP SCREW	4		3/8" X 3/4"
	12H304	LOCK WASHER	4		3/8"
	14H812	NUT	4		3/8"
11	H88585	SHEET	1		CENTER (453)
	H96712	SHEET	1		CENTER (454, 554, 653)
	H91864	SHEET	1		CENTER (654 AND 853)
12	H88587	REINFORCEMENT	1		CENTER (453)
	H96707	REINFORCEMENT	1		CENTER (454, 554, AND 653)
	H91863	REINFORCEMENT	1		CENTER (654 AND 853)
13	03H1524	BOLT	7		5/16" X 1"
	N10213	LOCK NUT	7		
14	H88689	SHEET	1		R.H. (453)
	H96715	SHEET	1		R.H. (454)
	H96728	SHEET	1		R.H. (554) (NO LONGER AVAILABLE)
	H96738	SHEET	1		R.H. (653)
	H94138	SHEET	1		R.H. (654)
	H92279	SHEET	1		R.H. (853)
	H88690	SHEET	1		L.H. (453)
	H96716	SHEET	1		L.H. (454)
	H96729	SHEET	1		L.H. (554) (NO LONGER AVAILABLE)
	H96739	SHEET	1		L.H. (653)
	H94139	SHEET	1		L.H. (654)
	H92275	SHEET	1		L.H. (853)
15	H88691	REINFORCEMENT	2		(453)
	H96708	REINFORCEMENT	1		R.H. (454)
	H96722	REINFORCEMENT	1		R.H. (554) (NO LONGER AVAILABLE)
	H96732	REINFORCEMENT	1		R.H. (653)
	H94140	REINFORCEMENT	1		R.H. (654)
	H92290	REINFORCEMENT	1		R.H. (853)
	H96709	REINFORCEMENT	1		L.H. (454)
	H96723	REINFORCEMENT	1		L.H. (554) (NO LONGER AVAILABLE)
	H96733	REINFORCEMENT	1		L.H. (653)
	H94141	REINFORCEMENT	1		L.H. (654)
	H92286	REINFORCEMENT	1		L.H. (853)
16	H97516	STRAP	AR		(453, 454, 1 USED; 554, 653, 654, AND 853, 2 USED)
17	H96762	STRAP	AR		(453, 454, 2 USED; 554, 653, 654, AND 853, 3 USED)
18	19H1732	CAP SCREW	2		3/8" X 1-1/4"
	E55662	FLANGE NUT	2		
19	24H1825	WASHER	4	390601-	11/16" X 1-1/2" X 0.194"
	12H294	LOCK WASHER	4	390601-	5/8"
	14H1039	NUT	4	390601-	5/8"
20	H91615	PLATE	2	390601-	
21	09H1587	BOLT	4	390601-	5/8" X 2"
22	H100090	BRACKET	1	-390600	R.H. (SUB AH134684) (453, 454, 554, 653, 654, 754, 853) (ARC WELDED)
	H100312	BRACKET	1	-390600	L.H. (SUB AH134685) (454, 554, 653, 654, 754, 853) (ARC WELDED)
	H100442	BRACKET	1	-390600	L.H. (SUB AH134684) (453) (ARC WELDED)

B7

50 SERIES ROW-CROP HEADS

OUTER GATHERER POINTS

H25971 -UN-01JAN94



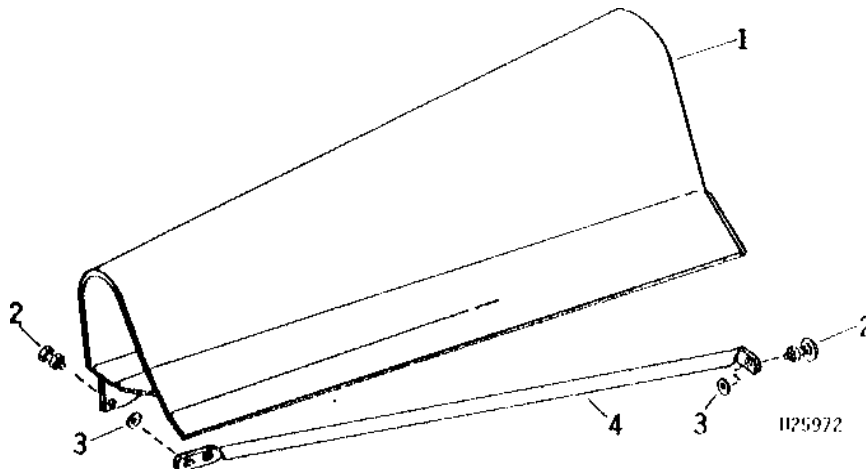
KEY	PART NO.	PART NAME	QTY	SERIAL NO.	REMARKS
1	03H1842	BOLT	2	7/16" X 2"	
	12H293	LOCK WASHER	2	7/16"	
	14H813	NUT	2	7/16"	
2	H88704	BUSHING	1		
3	24H1327	WASHER	1	15/32" X 1-1/8" X 7/64"	
4	C13443	LOCK NUT	2		
5	24H1327	WASHER	2	15/32" X 1-1/8" X 7/64"	
6	28H1519	WASHER	2	0.493" X 0.675" X 3/8"	
7	14H813	NUT	2	7/16"	
8	H89211	HOOK BOLT	2		
9	19H1731	CAP SCREW	2	3/8" X 1"	
	12H304	LOCK WASHER	2	3/8"	
	14H812	NUT	2	3/8"	
10	24H1305	WASHER	2	13/32" X 13/16" X 0.065"	
11	AH90249	LINK CHAIN	2	-395000	(SUB AH102723)
	AH102723	LINK CHAIN	2		40 LINKS
12	AH89835	GATHERER POINT	1	-395000	R.H. (SUB AH109666)
	AH109666	GATHERER POINT	1		
	AH89836	GATHERER POINT	1	-395000	(SUB AH109667)
	AH109667	GATHERER POINT	1		L.H.
13	AN102372	HINGE	1		R.H.
	AN102373	HINGE	1		L.H.
14	N10214	SELF-LOCKING SCREW	4		
	E55662	FLANGE NUT	4		
15	H85104	SKID PLATE	2		
16	N10214	SELF-LOCKING SCREW	4		
17	N103631	SHOE	2		

B8

50 SERIES ROW-CROP HEADS

OUTER GATHERER SHEETS

H25972 -UN-01JAN94



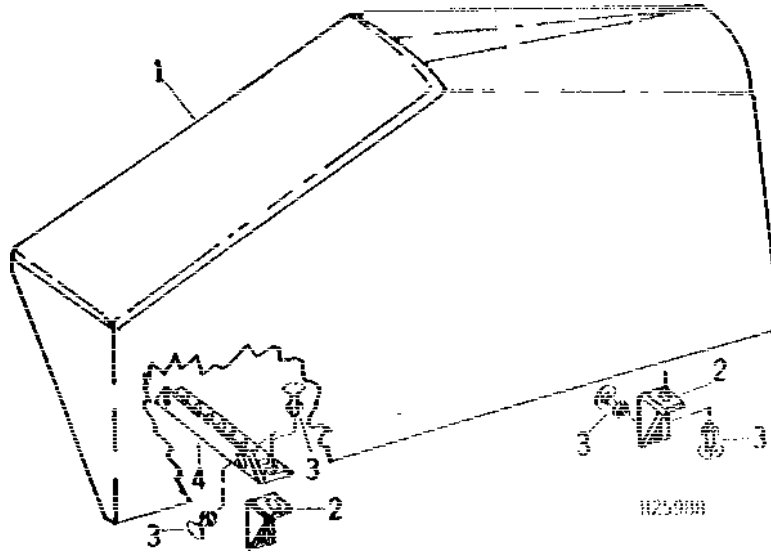
KEY	PART NO.	PART NAME	QTY	SERIAL NO.	REMARKS
1	AH90479	SHIELD	1	-393964	L.H. (SUB AH93727)
	AH93727	SHIELD	1		L.H.
	AH90476	SHIELD	1		R.H.
2	03H1519	BOLT	3		3/8" X 1"
	12H304	LOCK WASHER	3		3/8"
	14H812	NUT	3		3/8"
3	24H1305	WASHER	3		13/32" X 13/16" X 0.065"
4	H88978	BRACE	2	-395000	(SUB AH117530)
	AH117530	BRACE	2		

MEMORANDA

B9

H25988 -UN-01JAN94

OUTER GATHERER SHIELDS



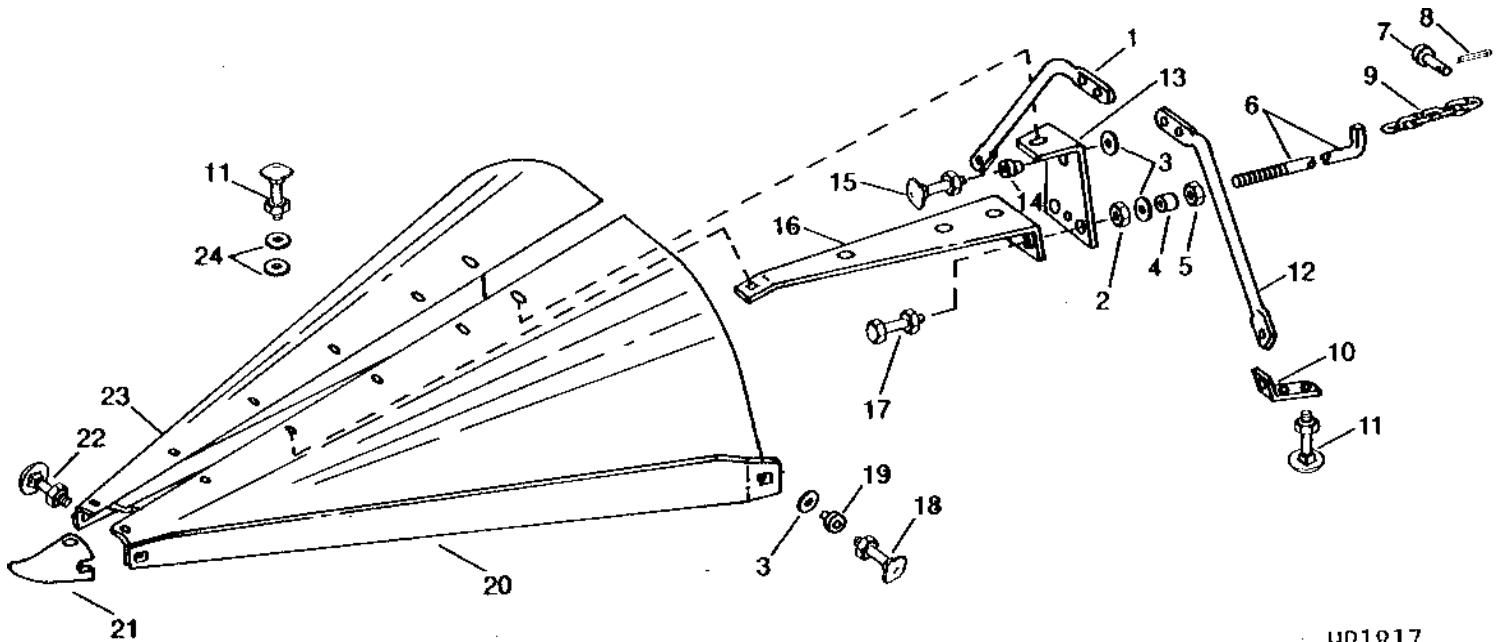
KEY	PART NO.	PART NAME	QTY	SERIAL NO.	REMARKS
1	AH90247	SHIELD	1	-395000	(SUB AH102872)
	AH102872	SHIELD	1		R.H.
	AH90248	SHIELD	1	-247679	L.H. (SUB AH93100)
	AH93100	SHIELD	1	-395000	L.H. (SUB AH102873)
2	AH102873	SHIELD	1		L.H.
	H88717	BRACKET	4		
3	03H1540	BOLT	16		5/16" X 3/4"
	N10213	LOCK NUT	16		
4	H88715	BRACKET	1	-395000	(SUB H140125) R.H.
	H88716	BRACKET	1	-395000	(SUB H140125) L.H.
	H140125	BRACKET	2		

B10

50 SERIES ROW-CROP HEADS

CENTER GATHERER POINTS

HP1817 -UN-01JAN94



HP1817

KEY	PART NO.	PART NAME	QTY	SERIAL NO.	REMARKS
1	H88732	TUBE	1	-247349	R.H. (454,554) (SUB H93355, (2) H93917, 03H2020)
	H93916	TUBE	2		(453, 653, 853)
	H88733	TUBE	1	-393964	R.H. (653) (SUB H93355, (2) H93916, 03H2020)
	H93917	TUBE	2		(454, 554, 654)
2	C13443	LOCK NUT	1		
3	24H1327	WASHER	3		15/32" X 1-1/8" X 7/64"
4	28H1519	WASHER	1		0.493" X 0.675" X 3/8"
5	14H813	NUT	1		7/16"
6	H89211	HOOK BOLT	1		
7	C1099E	PIN	1		DRILLED
8	J16931	SPRING LOCKING PIN	1		
9	AH90249	LINK CHAIN	1	-395000	(SUB AH102723)
	AH102723	LINK CHAIN	1		40 LINKS
10	H88724	BRACE	1		R.H.
	H88725	BRACE	1		L.H.
11	03H1540	BOLT	AR		5/16" X 3/4", (454, 554, 11 USED; 653, 10 USED)
	N10213	LOCK NUT	AR		
12	H88722	TUBE	1	-247349	L.H. (653) (SUB H93355, (2) H93916 AND 03H2020)
	H88731	TUBE	1	-247349	L.H. (454, 554) (SUB H93355, (2) H93917 AND 03H2020)
13	H88723	SUPPORT	1		(453, 653, 853) NO LONGER AVAILABLE
	H88729	SUPPORT	1		(454, 554, 654) NO LONGER AVAILABLE
14	H88734	BUSHING	1	-247349	(SUB H93355)
	H93355	BUSHING	1		
15	03H1495	BOLT	1	-247349	3/8" X 1-1/2"
	03H2020	BOLT	1	247350-	3/8" X 2"
	12H304	LOCK WASHER	1		3/8"
	14H812	NUT	1		3/8"

NOTE: QUANTITIES SHOWN ARE FOR ONE CENTER GATHERER POINT ASSEMBLY.

B11

50 SERIES ROW-CROP HEADS

CENTER GATHERER POINTS - CONTINUED

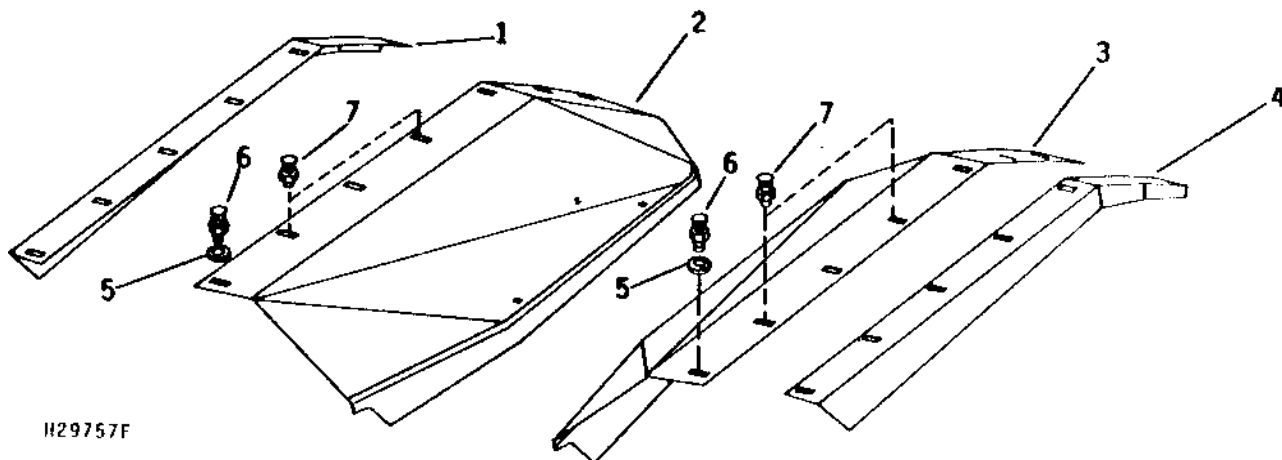
KEY	PART NO.	PART NAME	QTY	SERIAL NO.	REMARKS
16	H88721	REINFORCEMENT	1	(453, 653, 853)	
	H88730	REINFORCEMENT	1	(454, 554, 654)	NO LONGER AVAILABLE
17	19H2284	CAP SCREW	1	3/8" X 7/8"	
	12H304	LOCK WASHER	1	3/8"	
	14H812	NUT	1	3/8"	
18	03H1842	BOLT	2	7/16" X 2"	
	12H293	LOCK WASHER	2	7/16"	
	14H813	NUT	2	7/16"	
19	H88704	BUSHING	2		
20	AH89837	SHEET	1		CENTER, L.H. (454, 554, 654)
	AH89839	SHEET	1		CENTER, L.H. (453, 653, 853)
21	H84480	SHOE	1		
22	03H1519	BOLT	3	3/8" X 1"	
	E55662	FLANGE NUT	3		
23	AH89838	SHEET	1		CENTER, R.H. (454, 554, 654)
	AH89840	SHEET	1		CENTER, R.H. (453, 653, 853)
24	24H1307	WASHER	AR		13/32" X 1" X 1/16", (454, 554, 8 USED; 653, 6 USED)

B12

50 SERIES ROW-CROP HEADS

CENTER GATHERER SHIELDS

H29757F -UN-01JAN94



KEY	PART NO.	PART NAME	QTY	SERIAL NO.	REMARKS
1	H88653	ANGLE	1	-294375	(SUB H94692) NO LONGER AVAILABLE
	H94692	SUPPORT	1	-344840	(SUB AH96932) NO LONGER AVAILABLE
	AH96932	BRACKET	1		R.H. (453, 653, AND 853)
	H88655	ANGLE	1	-393964	(SUB H94694)
	H94694	SUPPORT	1	-344840	(SUB AH96934) NO LONGER AVAILABLE
	AH96934	BRACKET	1		R.H. (454, 554, AND 654)
2	AH90234	COVER	1		R.H. (453, 653, AND 853)
	AH90236	COVER	1		R.H. (454, 554, AND 654)
3	AH90235	COVER	1	-294375	(SUB AH93232 AND AH93231)
	AH93232	COVER	1		L.H. (453, 653, AND 853)
	AH90237	COVER	1	-294375	(SUB AH93233 AND AH93231)
	AH93233	COVER	1		L.H. (454, 554, AND 654)
4	H88654	ANGLE	1	-393964	(SUB H94691)
	H94691	SUPPORT	1	-344840	(SUB AH96931)
	AH96931	SUPPORT	1		L.H. (453, 653, AND 853)
	H88656	ANGLE	1	-393964	(SUB H94693)
	H94693	SUPPORT	1	-344840	(SUB AH96933)
	AH96933	SUPPORT	1		L.H. (454, 554, AND 654)
5	24H1307	WASHER	AR		13/32" X 1" X 1/16"
6	03H1765	BOLT	AR		3/8" X 3/4"
	E55662	FLANGE NUT	AR		
7	N10214	SELF-LOCKING SCREW	AR		
	AT34059	NUT	1	-294375	
	H94637	NUT	1	294376-	

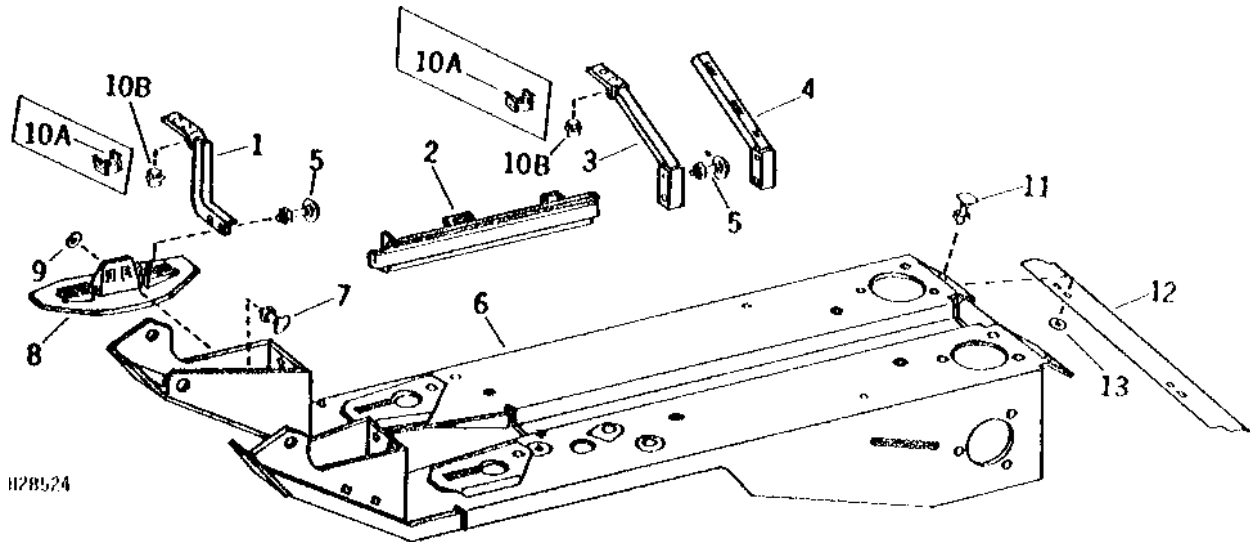
NOTE: QUANTITIES SHOWN ARE FOR ONE CENTER GATHERER SHIELD ASSEMBLY.

B13

50 SERIES ROW-CROP HEADS

ROW UNIT FRAME AND BRACKETS

H28524F -UN-01JAN94



KEY	PART NO.	PART NAME	QTY	SERIAL NO.	REMARKS
1	AH90241	BRACKET	1	-294375	R.H. (453, 653, 853) (SUB AH93216)
	AH93216	SUPPORT	1		R.H., FRONT (453, 653, 853)
	AH90242	BRACKET	1	-294375	L.H. (453, 653, 853) (SUB AH93217)
	AH93217	SUPPORT	1		L.H., FRONT (453, 653, 853)
	AH90289	BRACKET	1	-294375	R.H. (454, 554, 654) (SUB AH93214)
	AH93214	SUPPORT	1		R.H., FRONT (454, 554, 654) (NO LONGER AVAILABLE)
	AH90290	BRACKET	1	-294375	L.H. (454, 554, 654) (SUB AH93215)
	AH93215	SUPPORT	1		L.H., FRONT (454, 554, 654) (NO LONGER AVAILABLE)
2	AH94158	RAIL	1		R.H. (NO LONGER AVAILABLE)
3	AH90250	BRACKET	1	-393964	R.H. (453, 653, 853) (SUB AH93212)
	AH93212	SUPPORT	1		R.H., REAR (453, 653, 853)
	AH90251	BRACKET	1	-393964	L.H. (453, 653, 853) (SUB AH93213)
	AH93213	SUPPORT	1		L.H., REAR (453, 653, 853)
	AH90291	BRACKET	1	-393964	R.H. (454, 554, 654) (SUB AH93210)
	AH93210	SUPPORT	1		R.H., REAR (454, 554, 654)
	AH90292	BRACKET	1	-393964	L.H. (454, 554, 654) (SUB AH93211)
	AH93211	SUPPORT	1		L.H., REAR, (454, 554, 654) (NO LONGER AVAILABLE)
4	AH90482	BRACKET	1		(SUB AH96723) R.H. NO LONGER AVAILABLE
	AH90483	BRACKET	1		L.H. NO LONGER AVAILABLE
5	03H1500	BOLT	8		3/8" X 1"
	12H304	LOCK WASHER	8		3/8"
	14H812	NUT	8		3/8"
	AH90217	FRAME	1		NO LONGER AVAILABLE
7	03H1557	BOLT	4		3/8" X 1-1/4"
	12H304	LOCK WASHER	4		3/8"
	14H812	NUT	4		3/8"
	8	AH90238	RUNNER	2	-295425
AH90238		RUNNER	2	-245000	(554)
AH96723		RUNNER	2	-395000	(453, 454, 554, 653, 654, AND 853) (SUB AH102528 AND AH102529)
AH102528		SKID PLATE	1		R.H. (453, 454, 554, 653, 654, AND 853)
9	AH102529	SKID PLATE	1		L.H. (453, 454, 554, 653, 654, AND 853)
	24H1682	WASHER	4		13/32" X 7/8" X 0.120"
10A	AT34059	NUT	4	-294375	
10B	H94637	NUT	1	294376-	
11	03H1500	BOLT	2		3/8" X 1"
	E55662	FLANGE NUT	2		
12	H88621	SEAL	1		AUGER TROUGH, (453)
	H88622	SEAL	1		AUGER TROUGH, (454)
	H88623	SEAL	1		AUGER TROUGH, (554)
	H88624	SEAL	1		AUGER TROUGH, (653)
	H92331	SEAL	1		AUGER TROUGH, (853)
	H94111	SEAL	1		AUGER TROUGH, (654)
13	24H1312	WASHER	1		13/32" X 1-3/8" X 0.105"

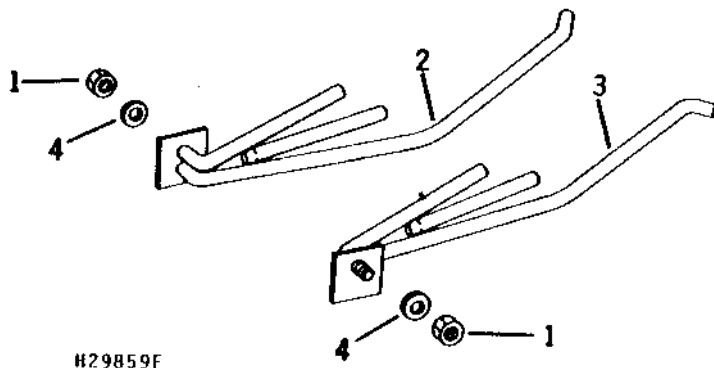
NOTE: QUANTITIES SHOWN ARE FOR 1-ROW ROW-CROP UNIT.

B14

50 SERIES ROW-CROP HEADS

ROCK DEFLECTORS

H29859F -UN-01JAN94



H29859F

KEY	PART NO.	PART NAME	QTY	SERIAL NO.	REMARKS
1	14H812	NUT	2	3/8"	
	12H304	LOCK WASHER	2	3/8"	
2	AH94159	DEFLECTOR	1	R.H.	
3	AH94160	DEFLECTOR	1	L.H.	
4	24H1305	WASHER	2	13/32" X 13/16" X 0.065"	

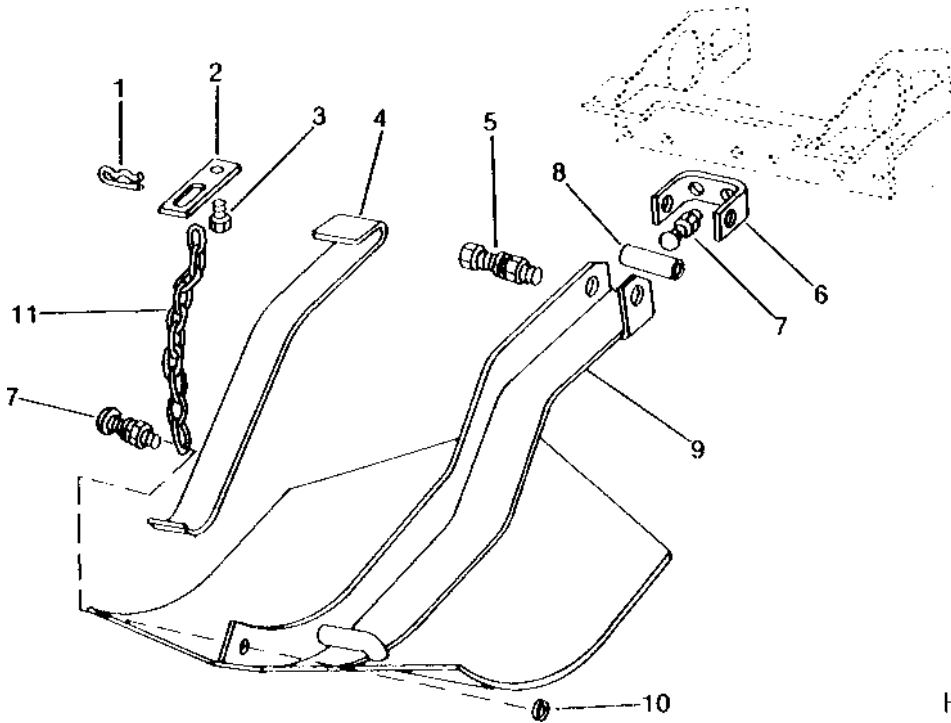
B15

50 SERIES ROW-CROP HEADS

STUBBLE SHOES

HP1454

-UN-01JAN94



HP1454

KEY	PART NO.	PART NAME	QTY	SERIAL NO.	REMARKS
1	A3581R	SPRING LOCKING PIN	2		
2	H95476	STRAP	2	-395000	(SUB H113789)
	H113789	SUPPORT	2		
3	19H1905	CAP SCREW	2		5/16" X 1"
	N10213	LOCK NUT	2		
4	H109119	SPRING	2		(SUB FOR H95478)
5	19H1828	CAP SCREW	2		7/16" X 4"
	12H293	LOCK WASHER	2		7/16"
	14H813	NUT	2		7/16"
6	H95475	SUPPORT	2		
7	03H1557	BOLT	6		3/8" X 1-1/4"
	12H304	LOCK WASHER	6		3/8"
	14H812	NUT	6		3/8"
8	28H1535	SPACER	2		3/8" X 2-3/4"
9	AH94725	SKID PLATE	2		
10	24H1237	WASHER	2		25/64" X 7/8" X 0.060"
11	AH94195	LINK CHAIN	2		22 LINKS